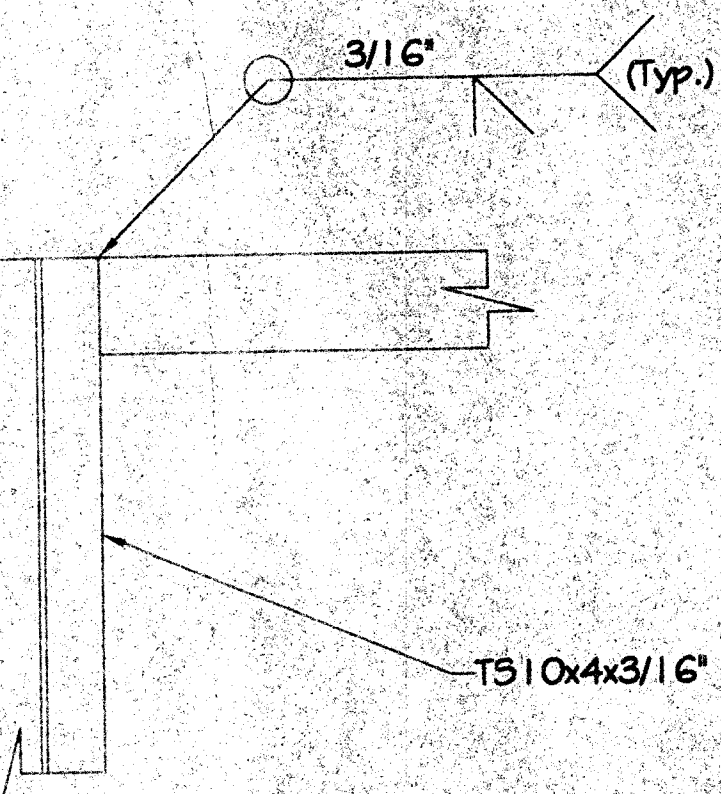


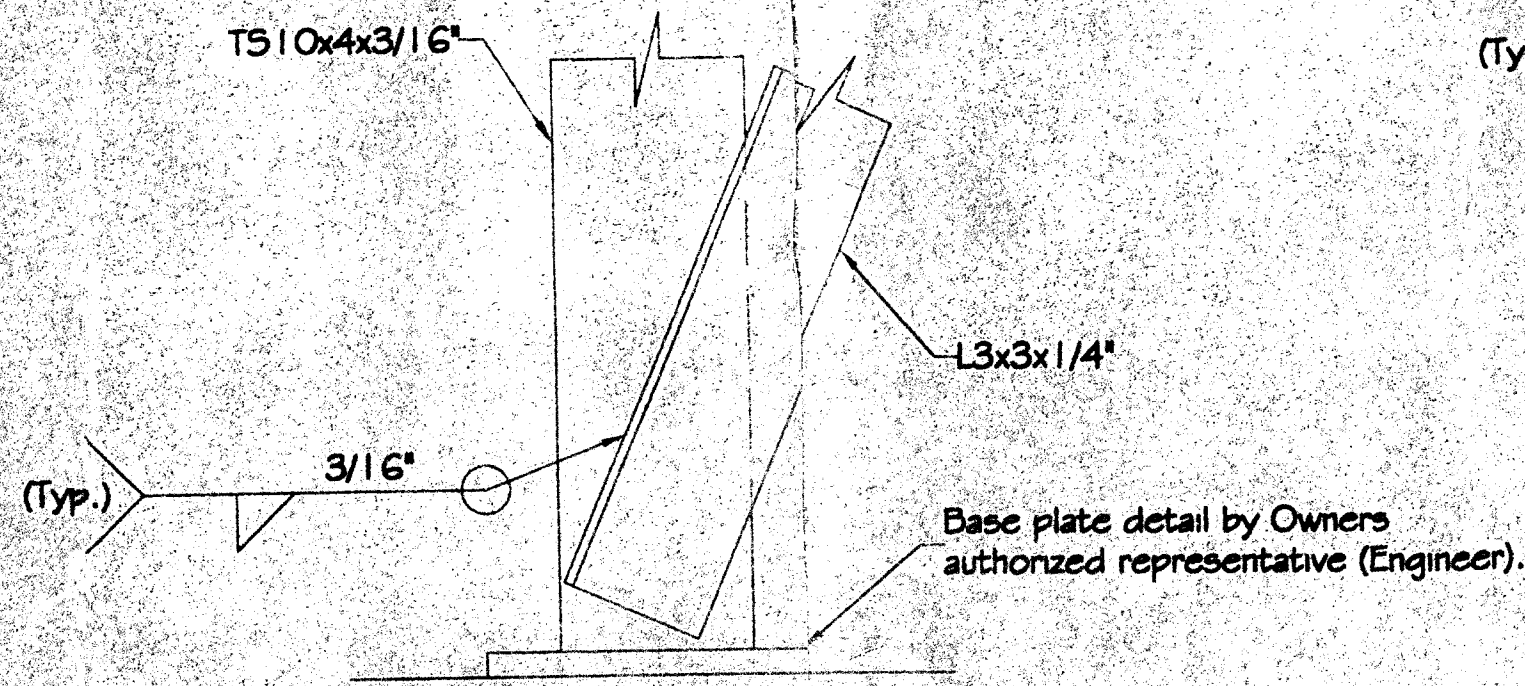
All work on this page shall be supplied and performed by others at no expense to Entre Prises.
 Final determination of structural attachment is the responsibility of the Owners authorized representative (Engineer) and is not the responsibility of Entre Prises.

Refer to Structural Calculation Package by Froelich Engineering Consultants for reaction summary (supplied by Entre Prises).

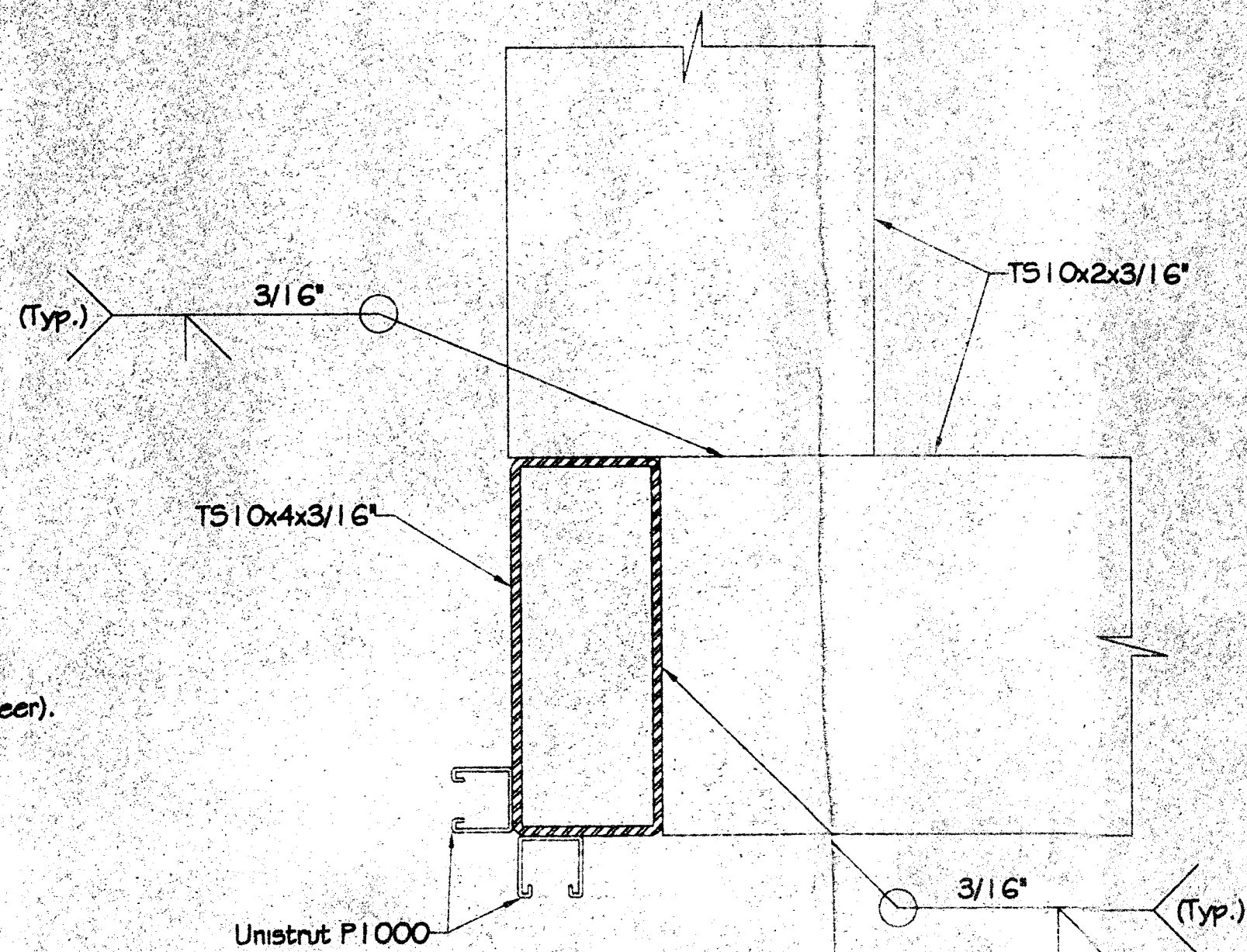


1 Top Brace Conn.

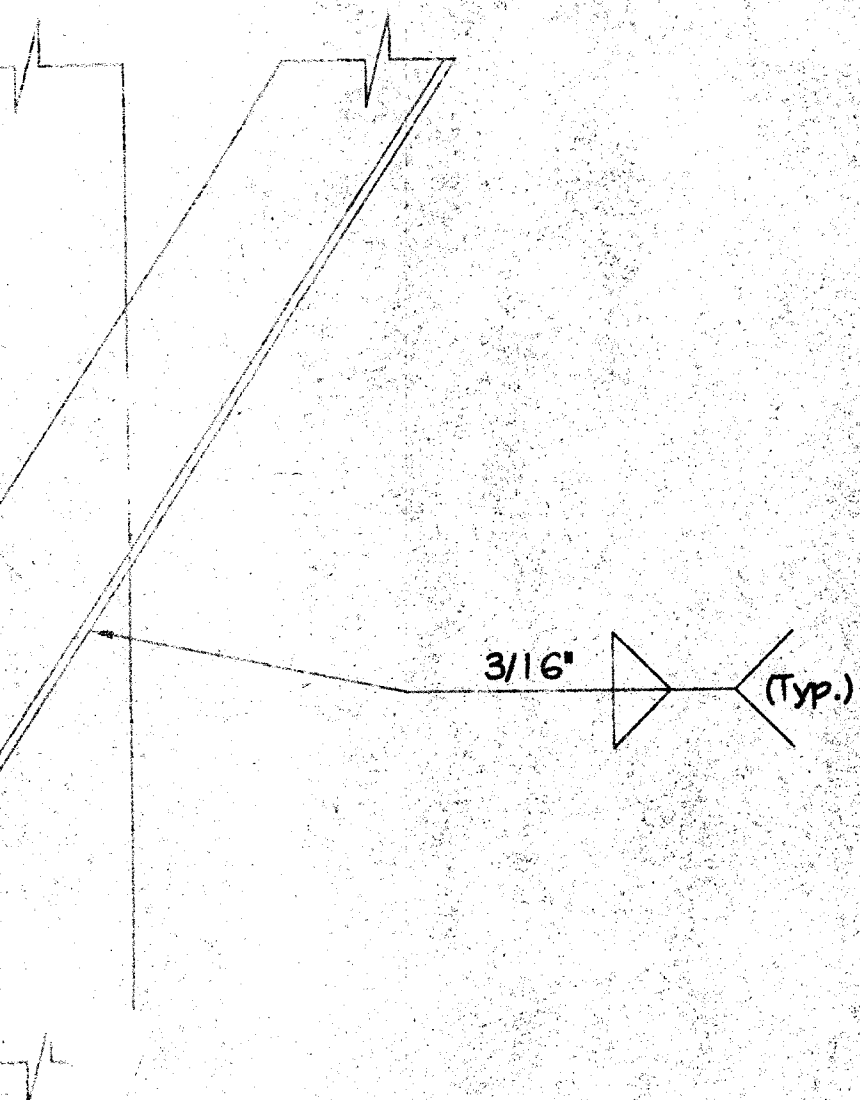
0"



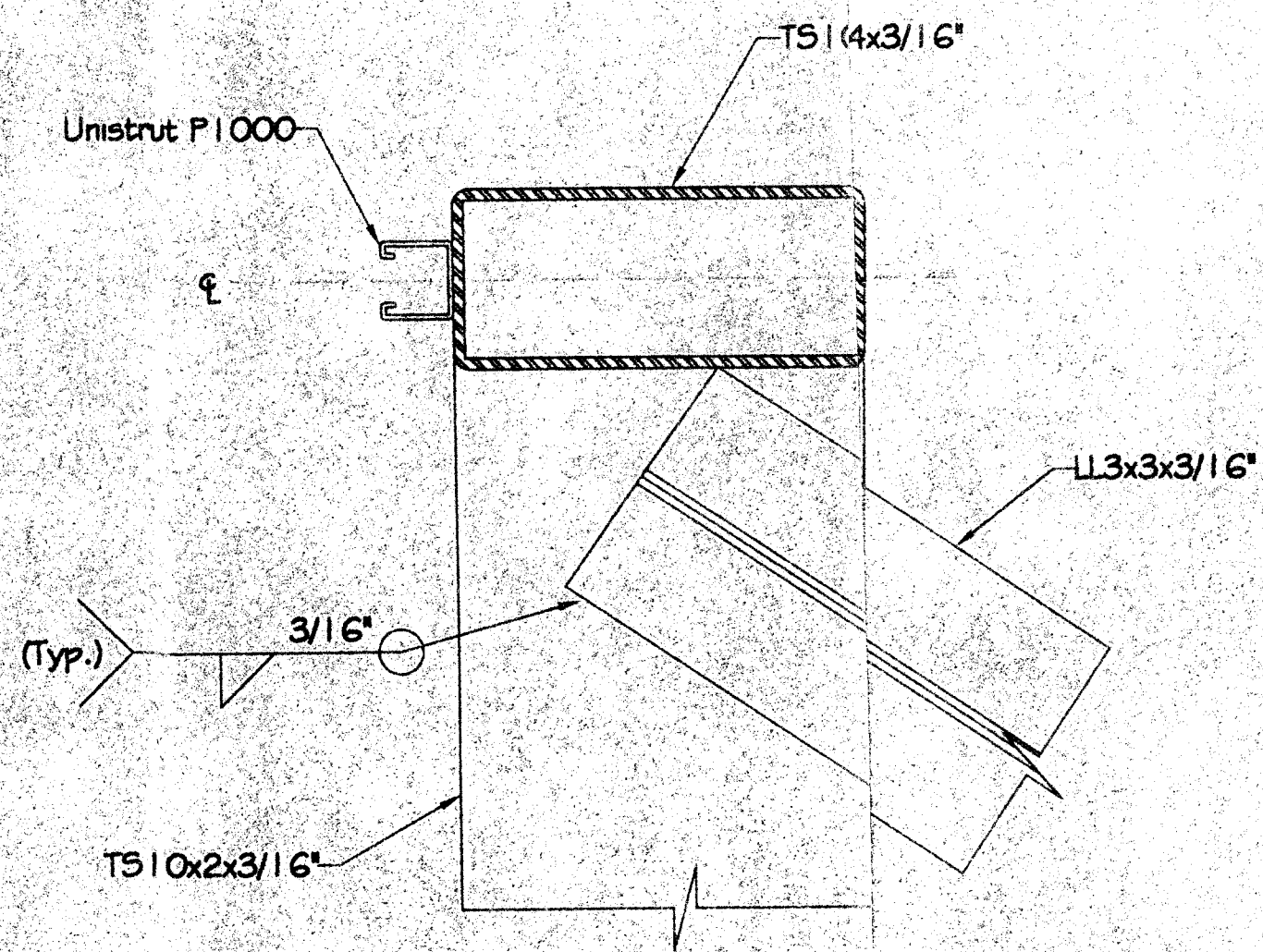
2 DETAIL: Btm. Lateral Brace Conn. (Top Conn. Similar)
 6 Scale: 3" = 1'-0"



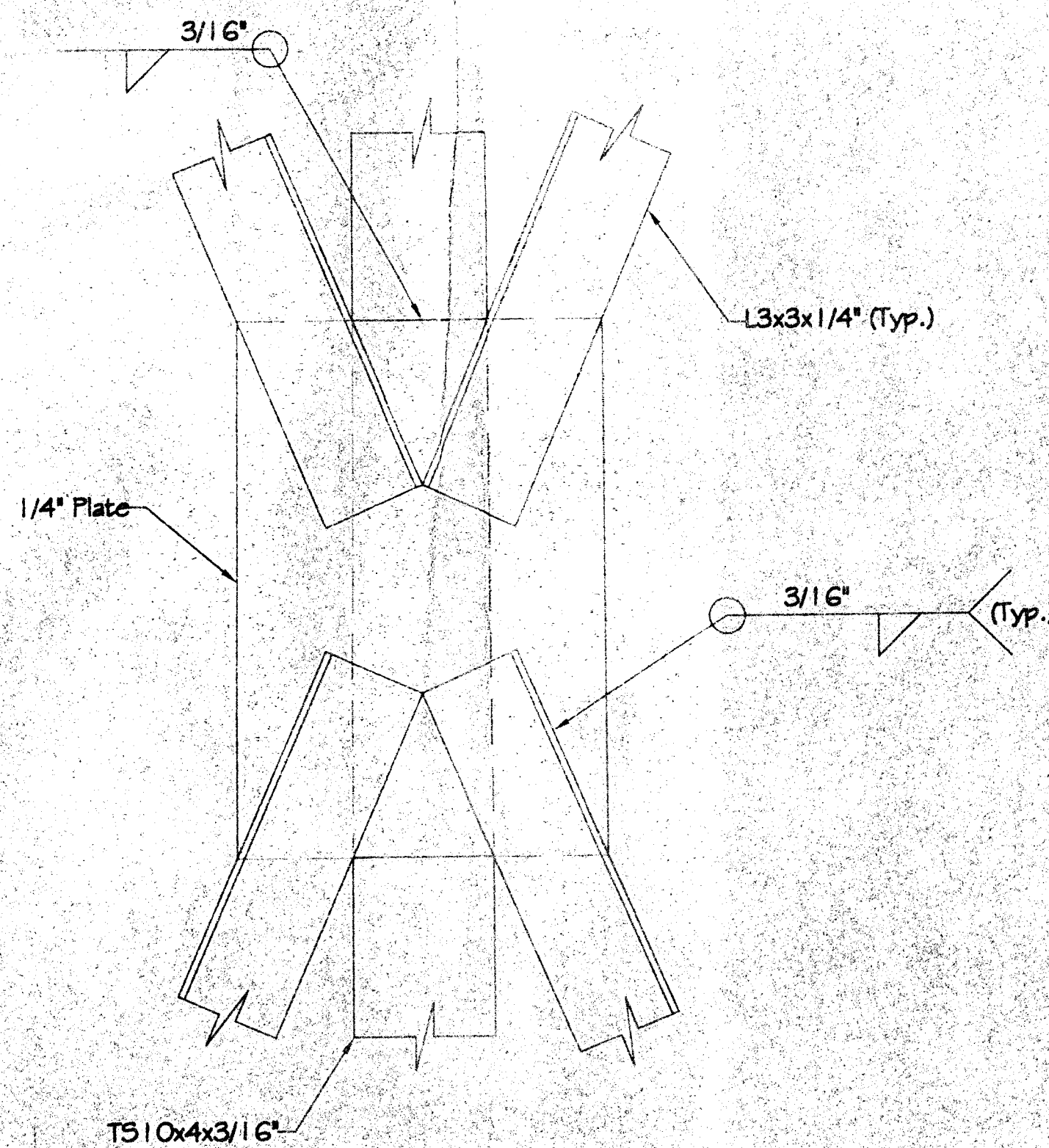
3 DETAIL: Corner Top Conn.
 6 Scale: 3" = 1'-0"



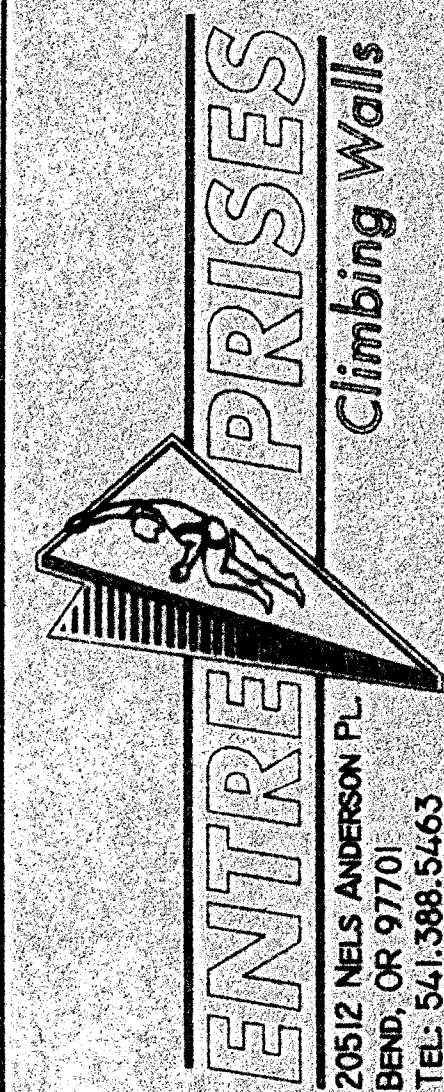
4 Intermediate Lateral Brace Conn.
 Scale: 3" = 1'-0"



5 DETAIL: Top Crossrace Conn.
 6 Scale: 3" = 1'-0"



6 DETAIL: Center Lateral Brace Conn.
 6 Scale: 3" = 1'-0"



EP Job No: 1376
 Date: October 28, 1998
 DRN: D.S.S.

Checked: *Dr. D.*

© Entre Prises USA, Inc. 1998 All rights reserved.
 This work may not be used or reproduced in any form without the prior written consent of Entre Prises USA. The unauthorized reproduction or use of the work in any form or by any means may result in civil or criminal penalties.

United Sports Training Center
 Boulder Drive
 West Bradford, PA

Climbing Wall Installation Drws.
 Steel Column Connection Details

DRW No: 1376-6

6 of 6